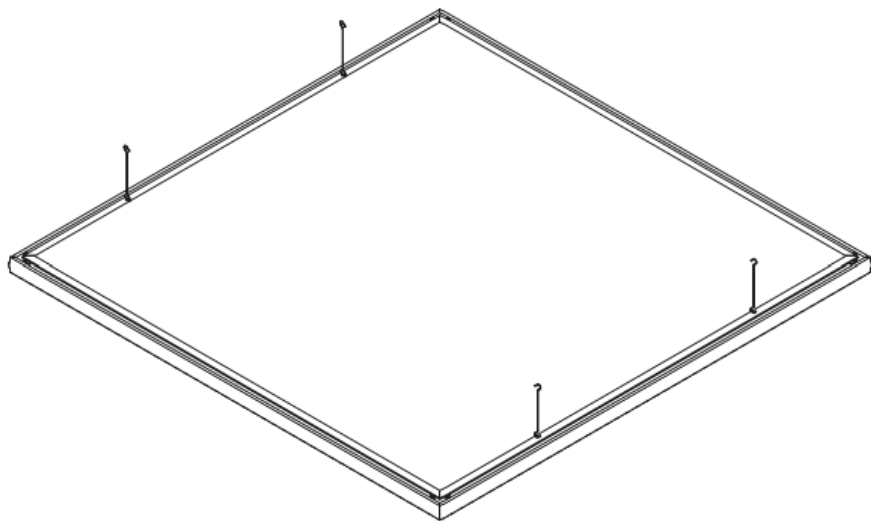


EASYceiling Plus

Installation manual



General

The EASYceiling Plus ceiling elements consist of an aluminium frame containing an acoustic membrane of glass wool that is coated on the visible side in white or another colour. The membrane has European fire class A1 (non-flammable).

The application of the ceiling elements is to absorb sound reflections in order to reduce reverberation in interior spaces and thus improve the acoustics. The islands are suspended from the ceiling with a fixed or adjustable cavity distance.

For more information about this product, please visit our website or contact us by phone.

Points of attention

- Do not attach any additional weight to the panels, the suspension is designed to carry the element alone;
- The panels are intended for use in dry indoor environments;
- Avoid locations subject to strong wind gusts, as the elements may come loose!



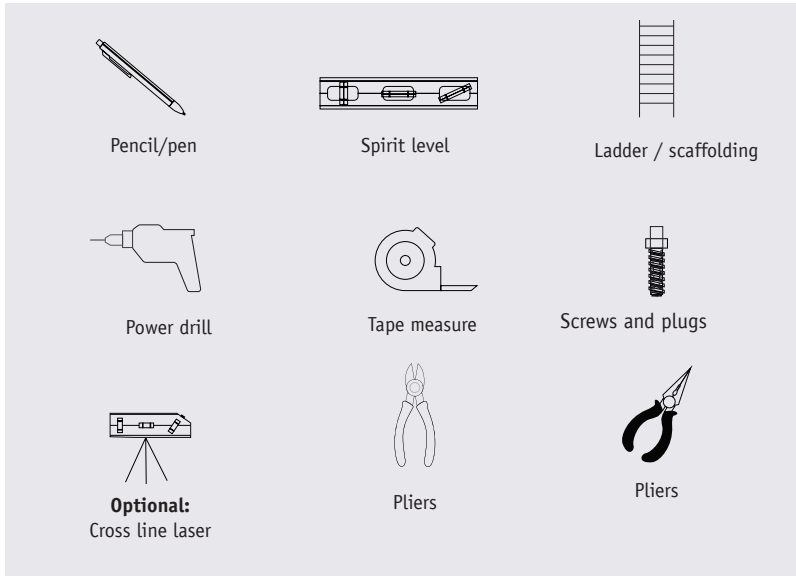
Need help?

Contact us!

+31 30 227 08 00

info@easy-noisecontrol.nl

Necessities



Components

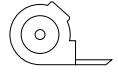
Hanger	4x/6x	1200x1200/2400x600
D-ring	4x/6x	Plafondeiland

or

Connector with thread	4x/6x	1200x1200/2400x600
Steel cable	4x/6x	Ceiling element
Ceiling mounting	4x/6x	

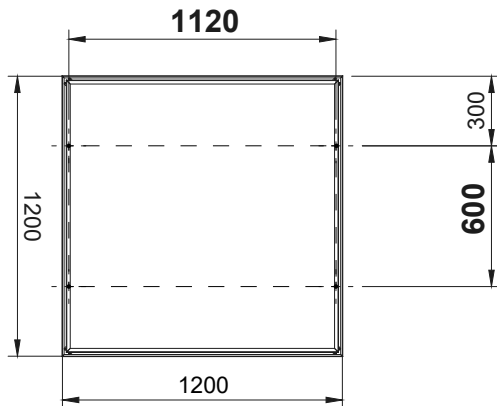
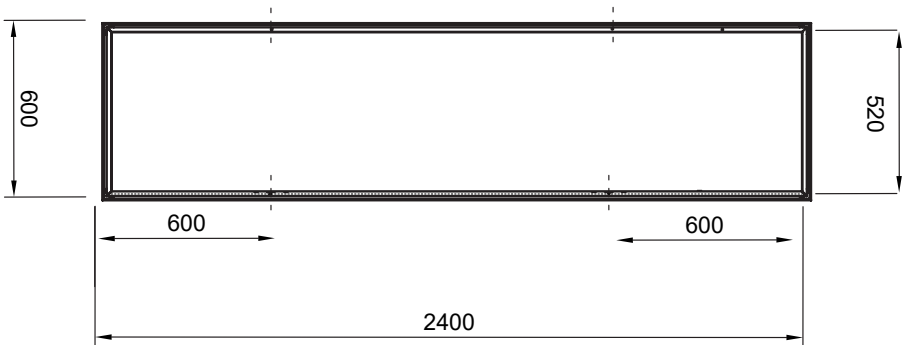
Optional: LED-spot	1x	Ceiling element
------------------------------	----	-----------------

Method

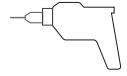


01 Determine location EASYceiling Plus

Determine where the elements will hang. Draw the fixing points on the ceiling.

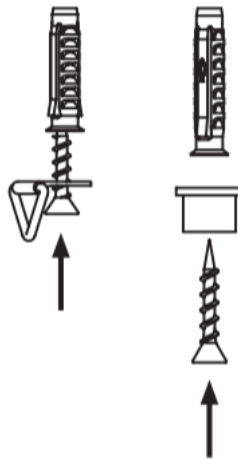


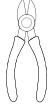
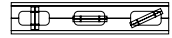
Tip: Use a cross line laser for marking and aligning the ceiling elements.



02 Fixing of EASYceiling Plus

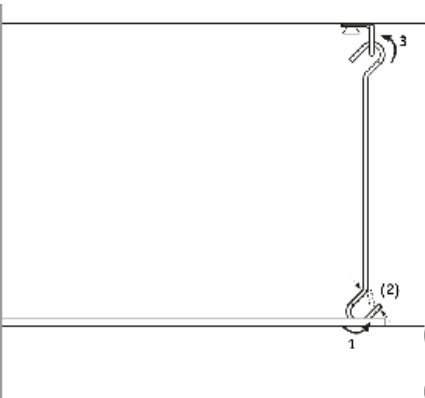
Drill holes in the ceiling at the marked spots and insert the plugs. Screw the D-rings to the ceiling **OR** screw on the upper part of the ceiling fixture to the ceiling.



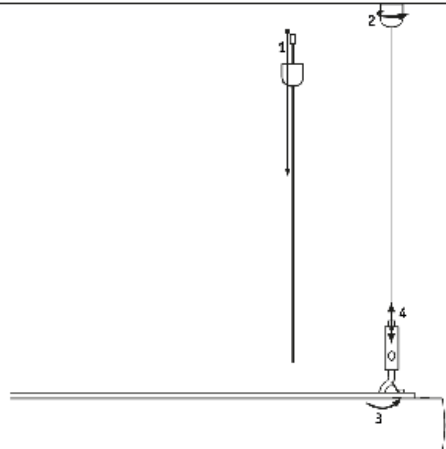


03 Fixing of EASYceiling Plus

Fix the ceiling element to the ceiling using the hangers **OR** click the hooks of the adjustable cable hangers into the holes of the frame and adjust to the desired suspension height.



Tip: Squeeze the bottom of the hangers with a pair of pliers.



Tip: Use a spirit level to hang the ceiling element level.

#weareacoustics

This text has been compiled with the utmost care. The same applies to the test results and further certificates. However, no rights may be derived from this text and modifications are subject to change. It is not possible to guarantee certain properties or the suitability of our products for a specific application. Please refer to our additional conditions or contact us.