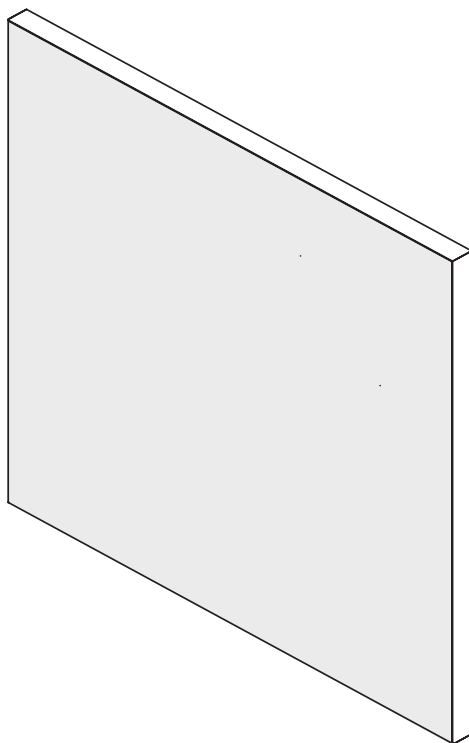


# EASYphoto wall panel

## Installation manual



## General

The EASYphoto photo panels consist of an aluminium frame, absorbing polyester wool, a polyester photo canvas and optionally a white shade cloth.

The application of the photo panels is the absorption of sound reflections to reduce reverberation in indoor spaces and thus improve the acoustics. The photo panels are screwed to the wall.

For more information about this product, please visit our website or contact us by telephone.

### Points of attention

- Be aware of sharp objects when unpacking and mounting the photo canvas.
- Make sure your workplace is clean in order to avoid stains on the photo canvas during installation.



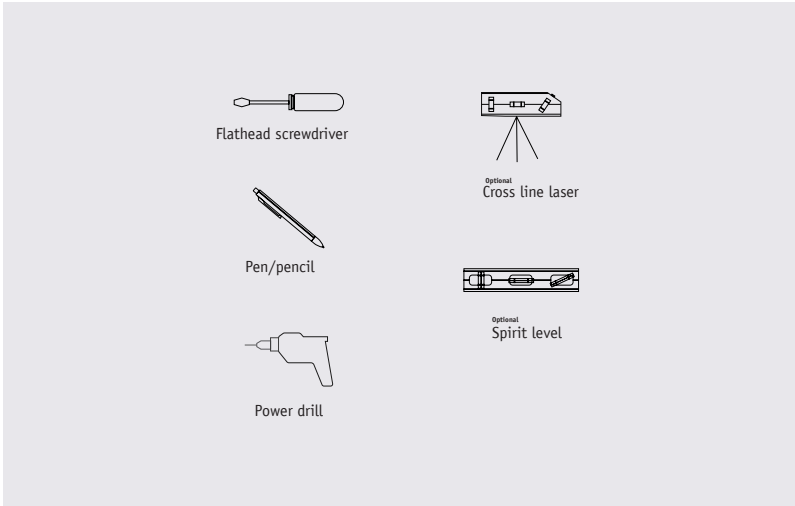
Need help?

Contact us!

+31 30 227 08 00

[info@easy-noisecontrol.nl](mailto:info@easy-noisecontrol.nl)

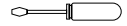
# Necessities



## Components

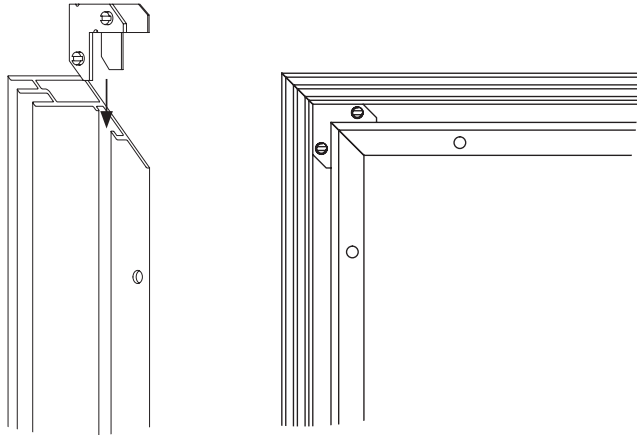
Frame part	4x
Mounting bracket	4x
Counter plate	4x
Polyester wool	sufficient amount
Velcro tape	sufficient amount
Photo canvas	1x
Optional: Shade cloth	1x

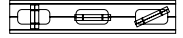
## Method



# 01 Connect the frame parts

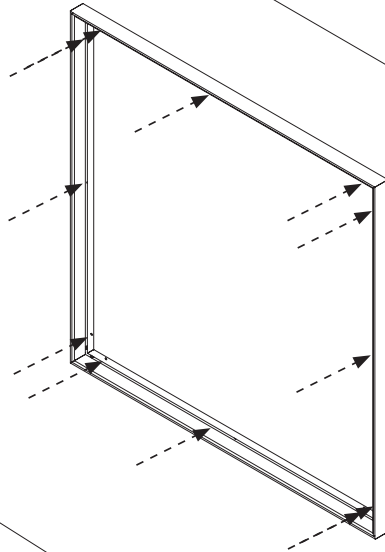
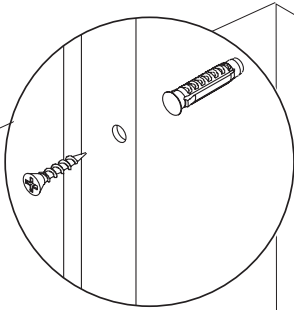
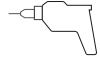
Connect the four frame parts to a quadrangular frame by screwing the mounting brackets with counter plates into the grooves. Make sure the corners are firmly connected.





## 02 Place the frame against the wall

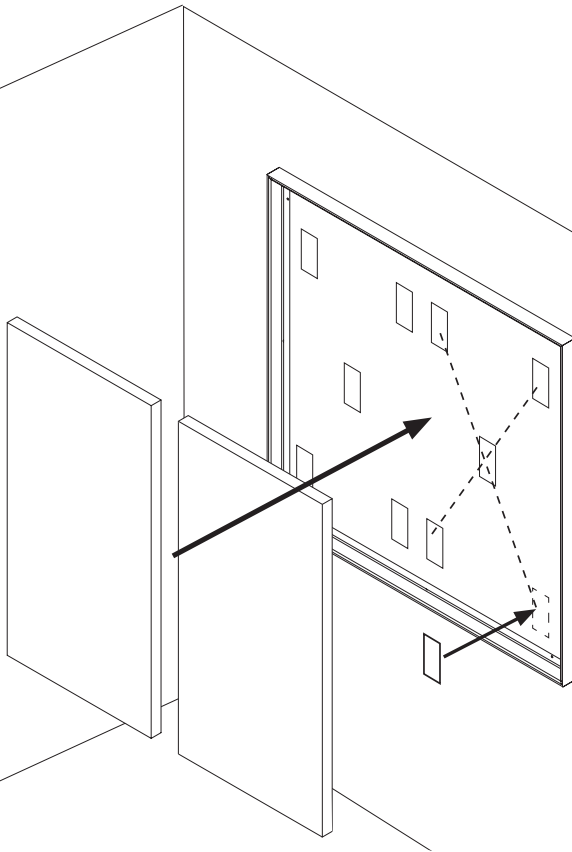
Place the frame against the wall and mark the holes. Drill holes in the wall and insert the plugs. Then screw the frame onto the wall.



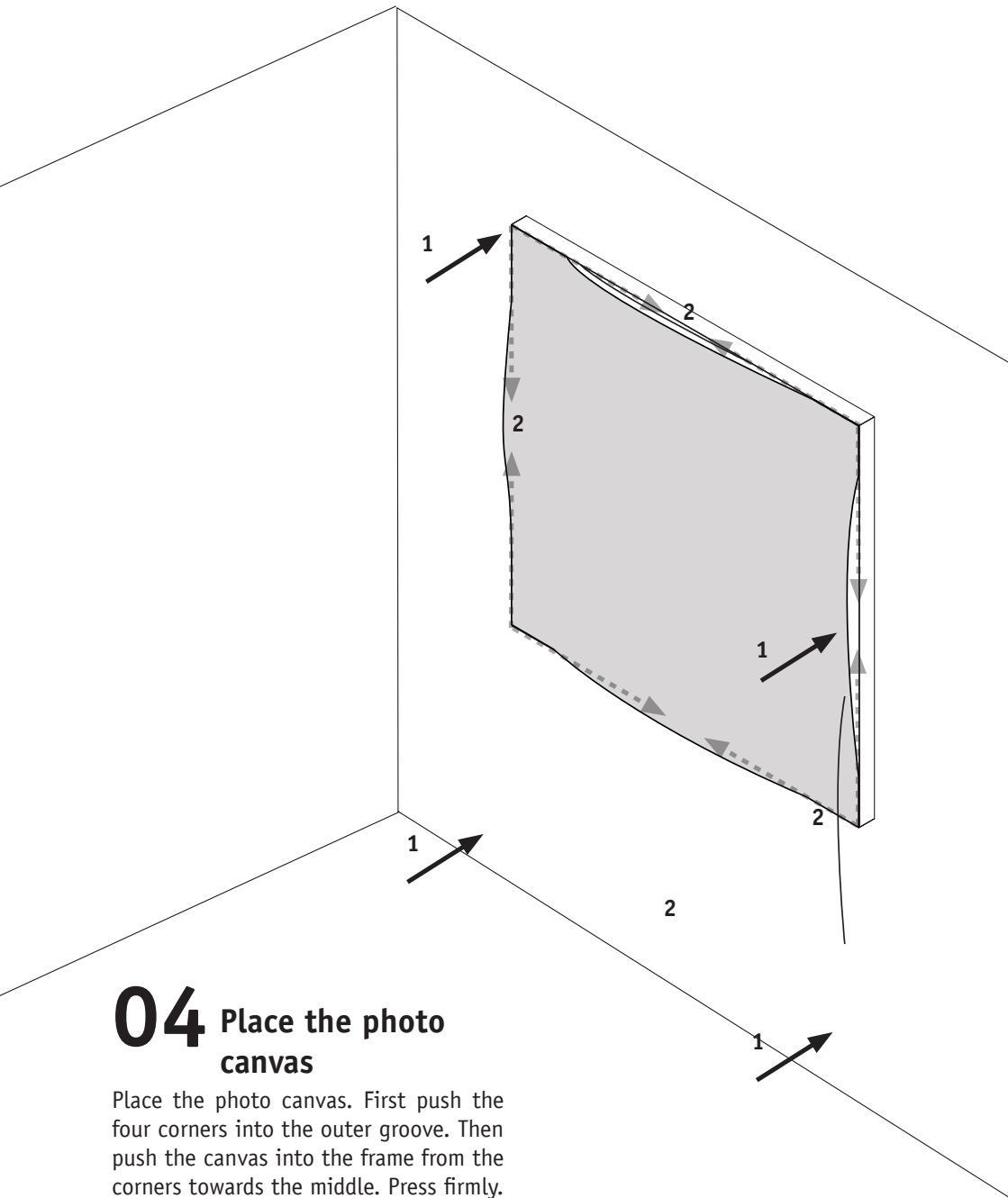
**Tip:** Use a cross line laser or spirit level for aligning the photo panel.

## 03 Place the polyester wool

Stick the Velcro tape on the wall and place the polyester wool with the soft side against the wall. If you have several pieces of polyester wool, make sure that they are placed tightly together.



**Tip:** Stick the Velcro tape in a cross shape for each panel polyester wool.



## 04 Place the photo canvas

Place the photo canvas. First push the four corners into the outer groove. Then push the canvas into the frame from the corners towards the middle. Press firmly.

## #weareacoustics

This text has been compiled with the utmost care. The same applies to the test results and further certificates.

However, no rights may be derived from this text and modifications are subject to change. It is not possible to guarantee certain properties or the suitability of our products for a specific application. Please refer to our additional conditions or contact us.