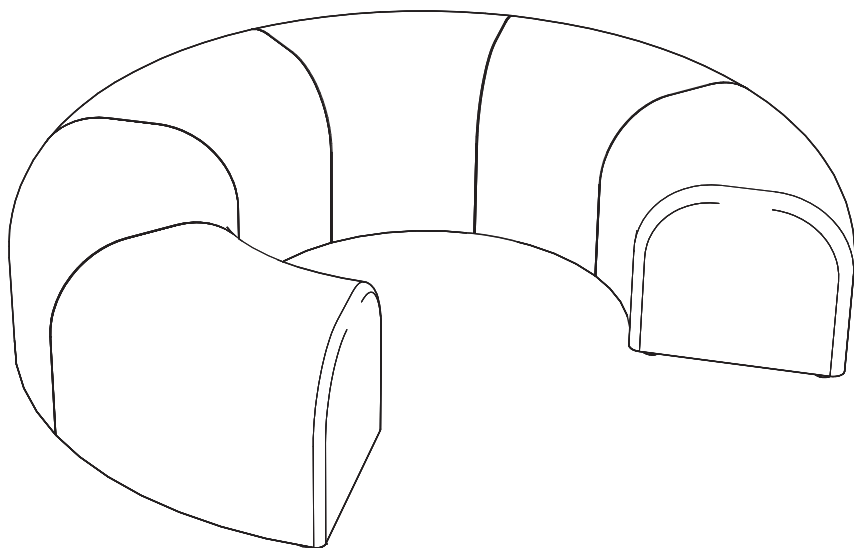


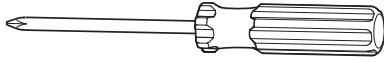
# BuzziCee

## INSTALLATION MANUAL



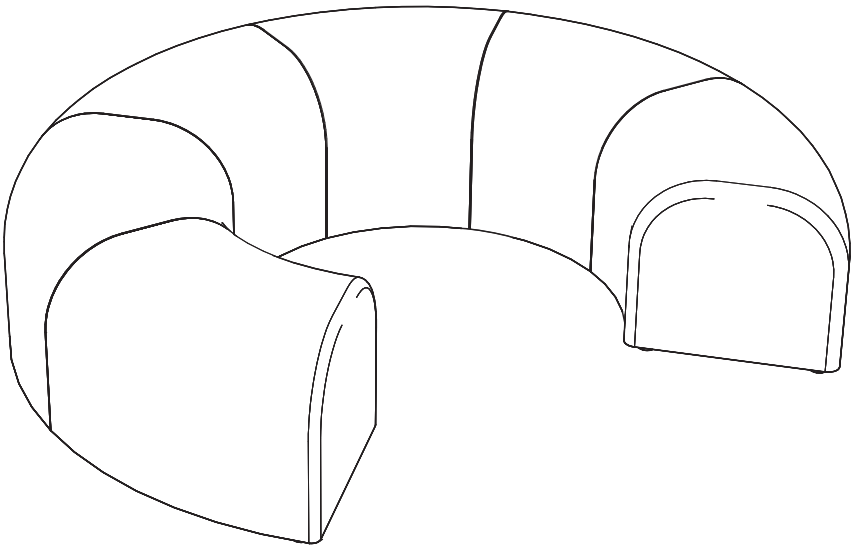
## Excluded

---



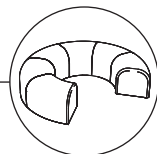
## Included BuzziCee

---

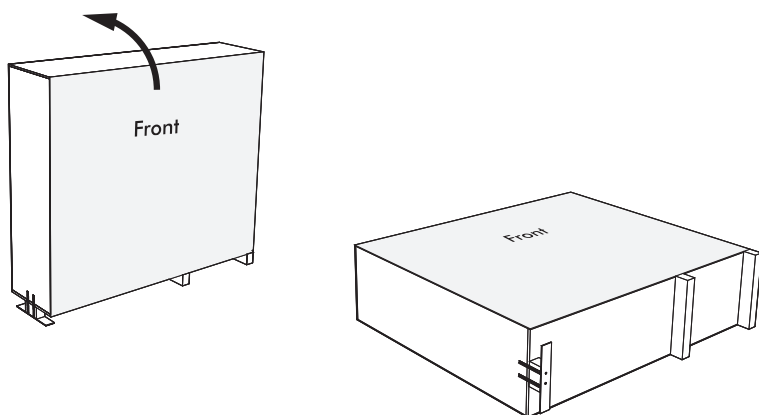


# BuzziCee

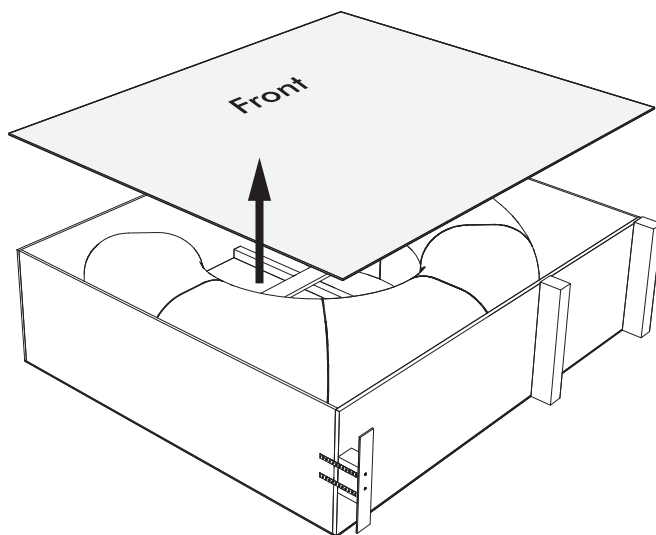
2 PERS. 



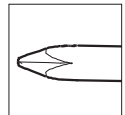
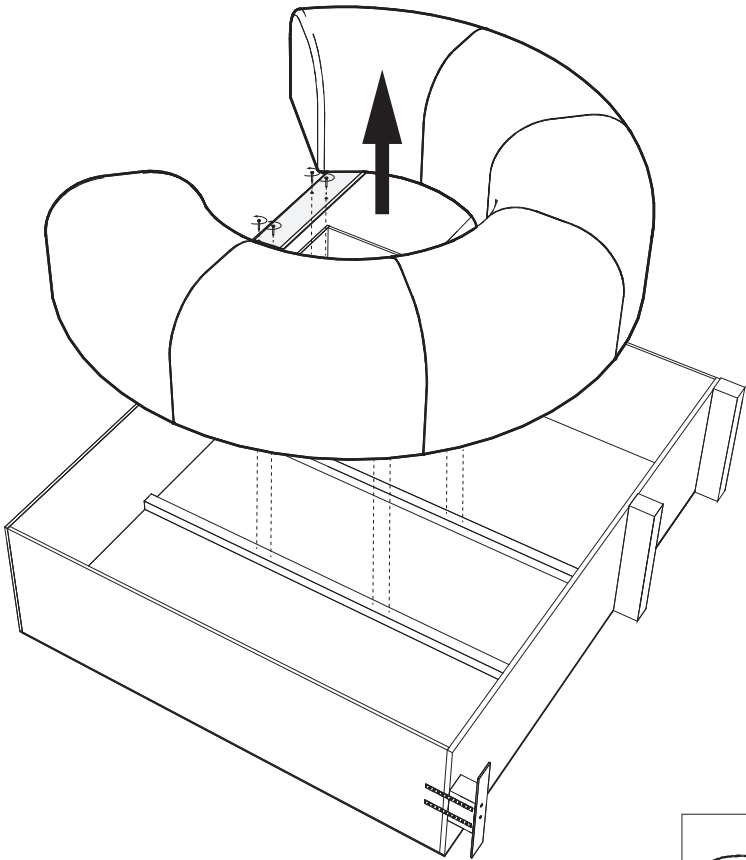
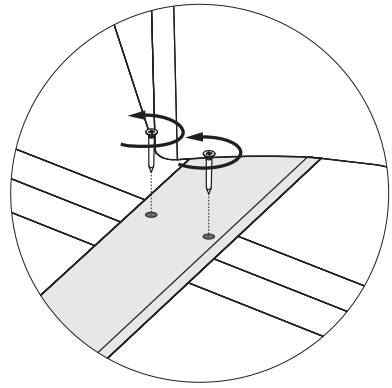
**1**



**2**

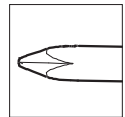
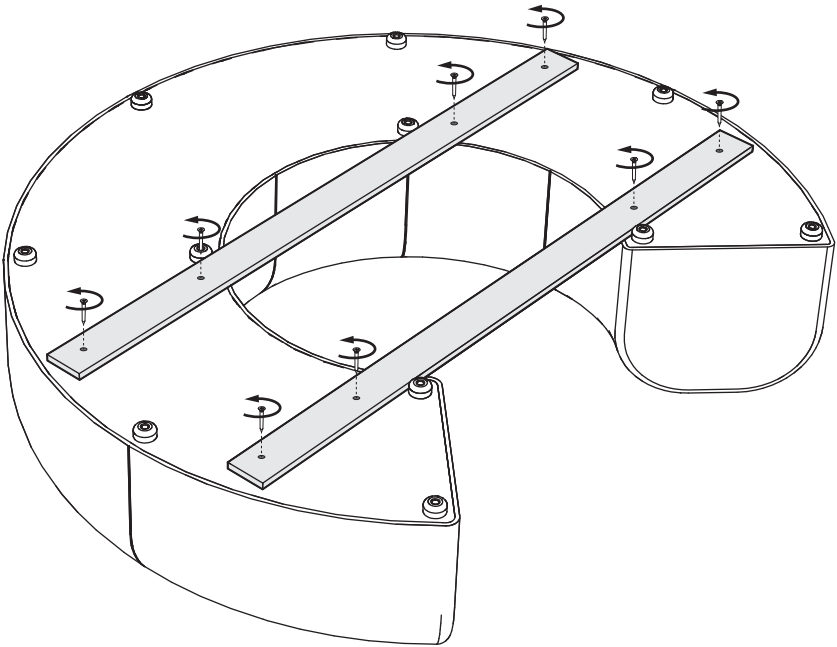
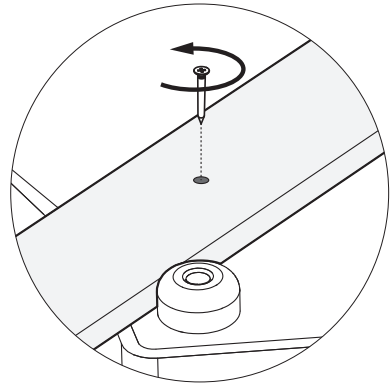


3



4

4







BuzziSpace  
Groeningenlei 141  
2550 Antwerp, Kontich  
Belgium  
☎ +32 (0)3 846 10 00  
✉ info@buzzi.space  
🌐 www.buzzi.space



A-0000007361  
Last update: 02/06/2021