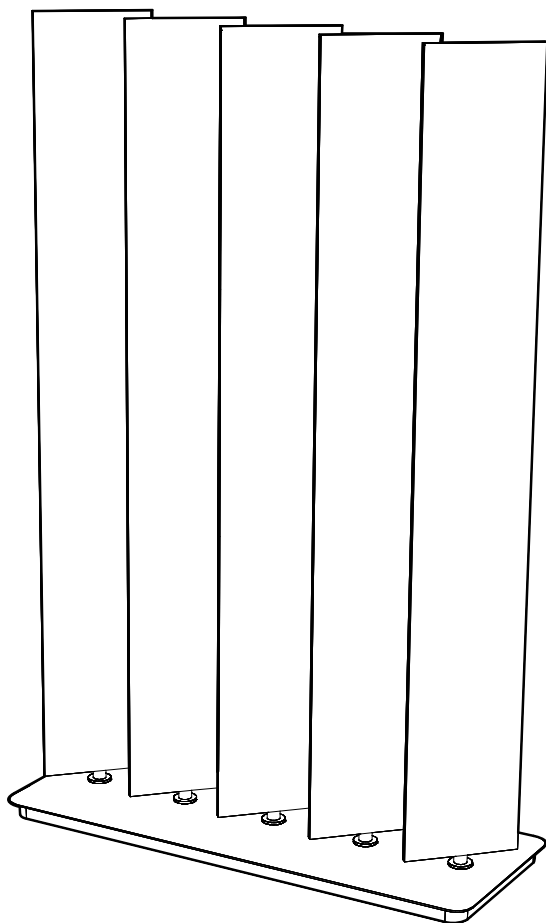
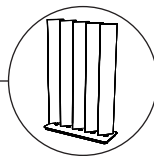


BuzziBlinds Classic

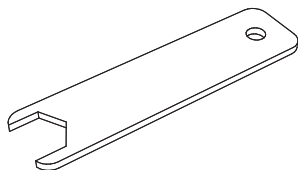
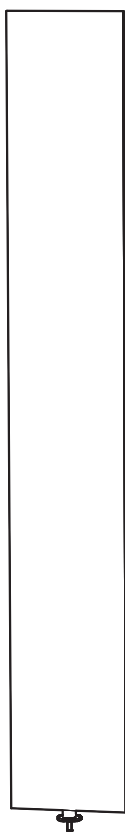
INSTALLATION MANUAL



Incl. BuzziBlinds Classic



5x



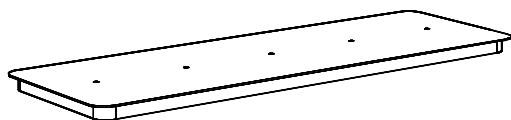
5x



5x



5x

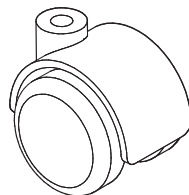


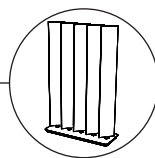
Optional Wheels

4x



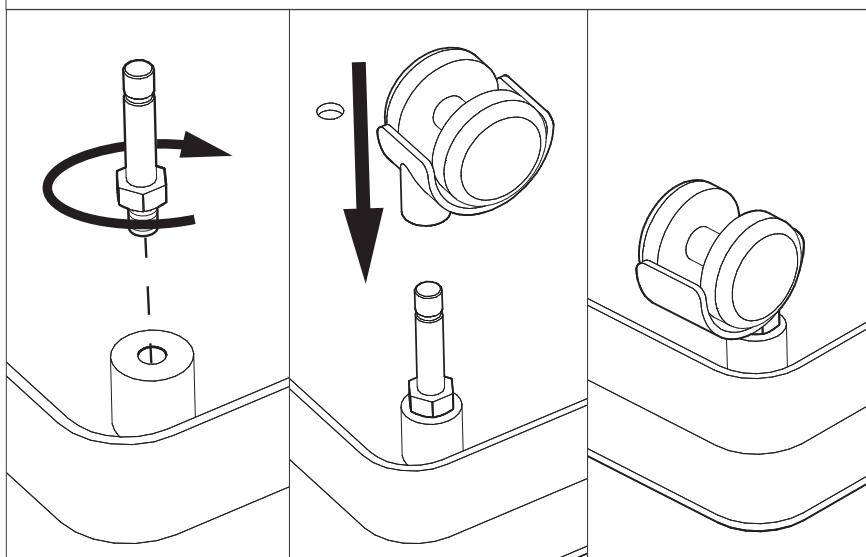
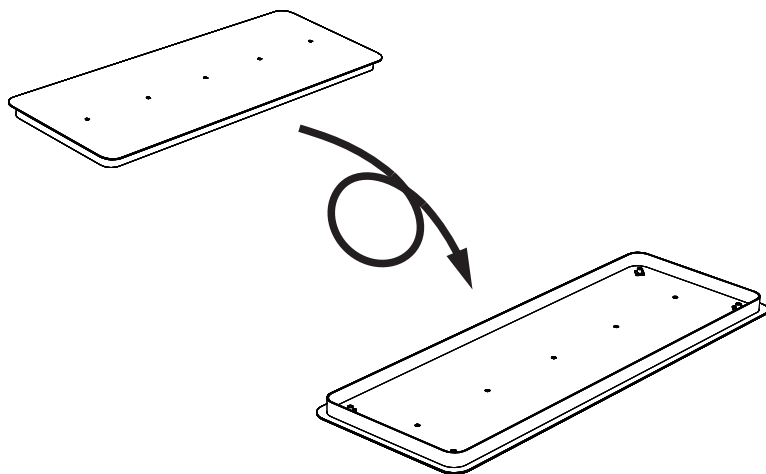
4x



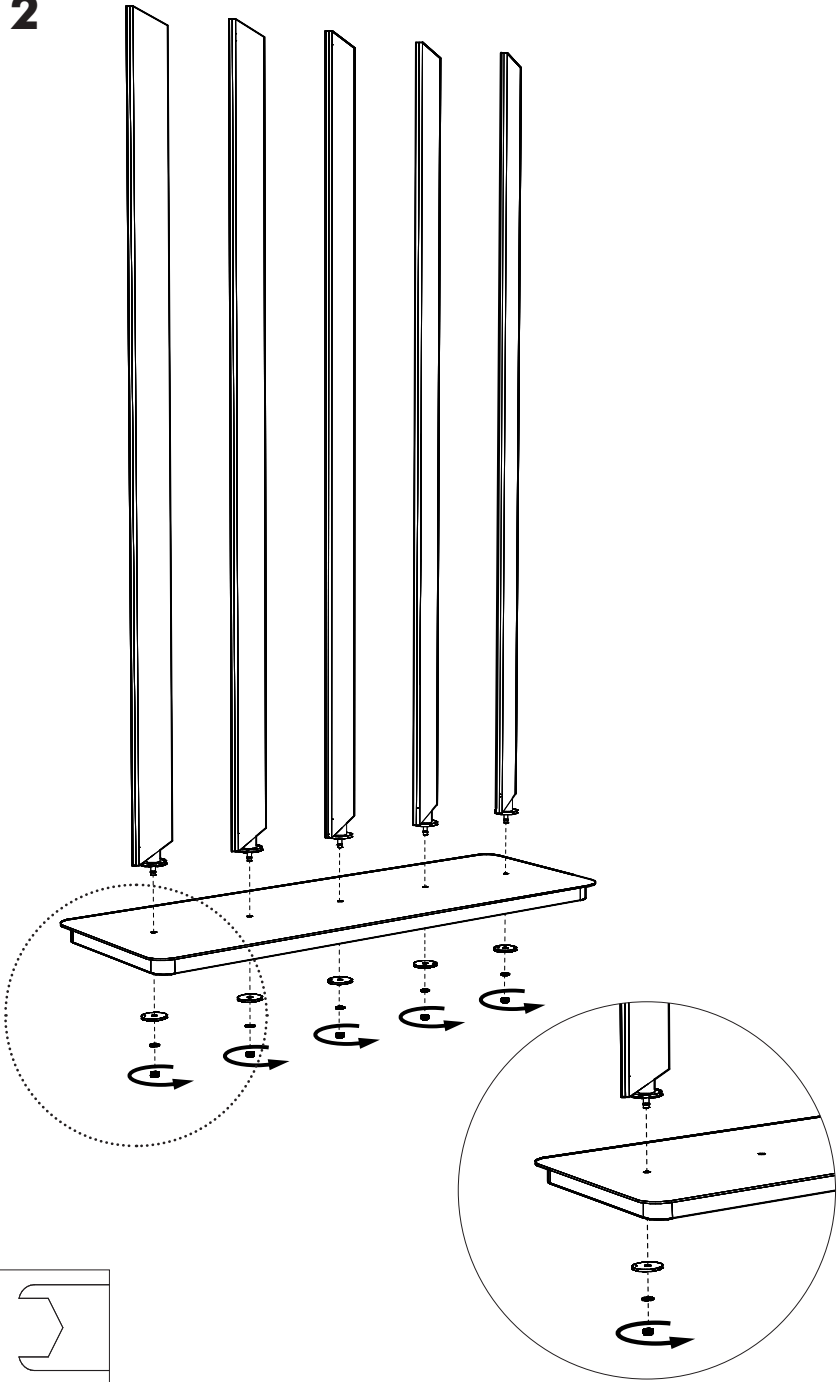


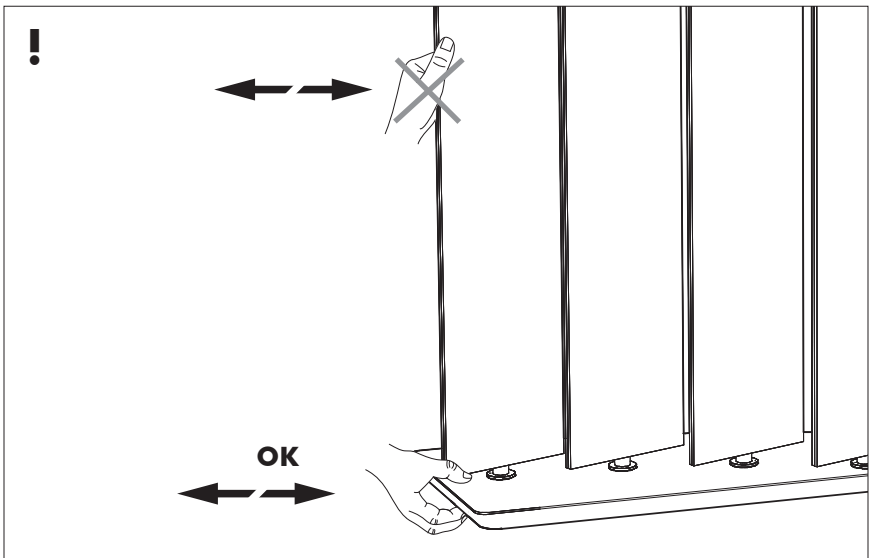
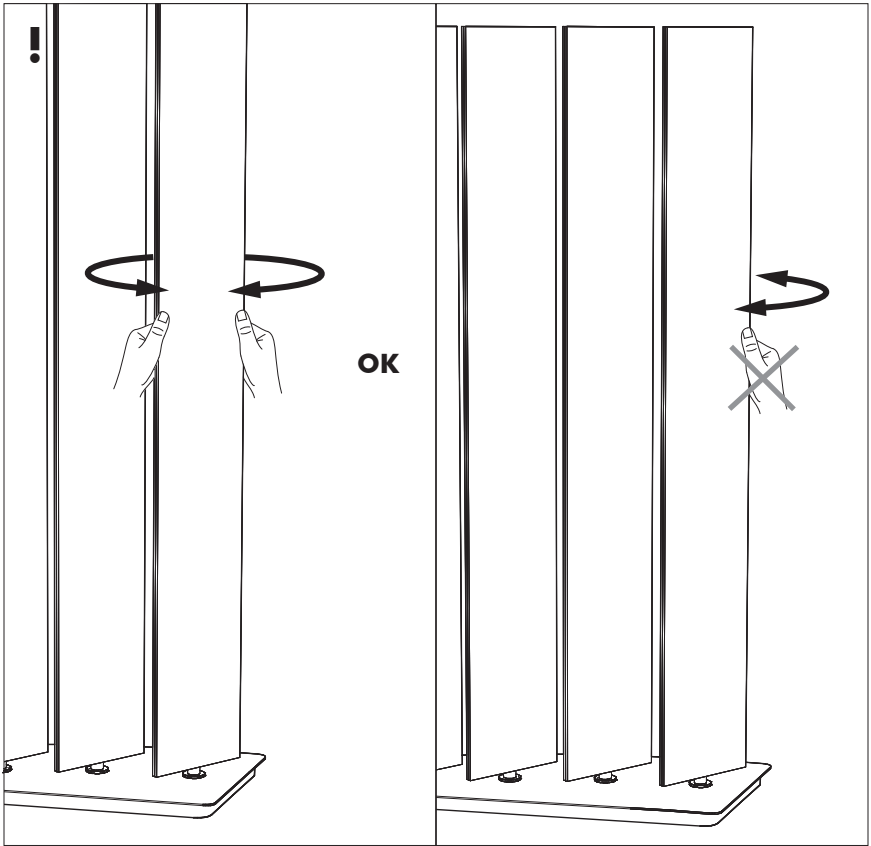
1 PERS.

1 Optional Wheels

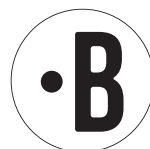


2





BuzziSpace
Groeningenlei 141
2550 Antwerp, Kontich
Belgium
☎ +32 (0)3 846 10 00
✉ info@buzzi.space
🌐 www.buzzi.space



Doc nr.: A-0000002316
Last update: 08/03/2018